

# PITT

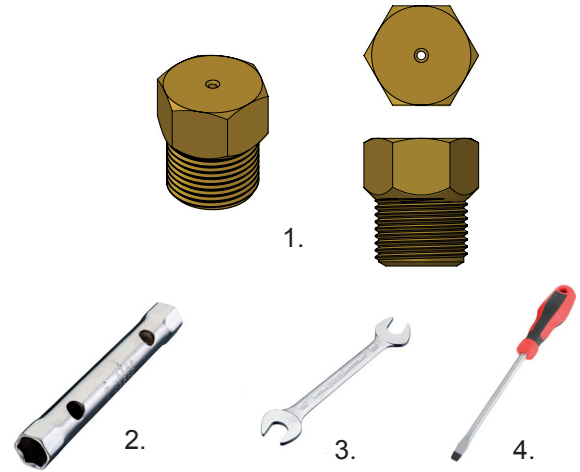
## Instructions for replacing nozzles

### NOTE!!

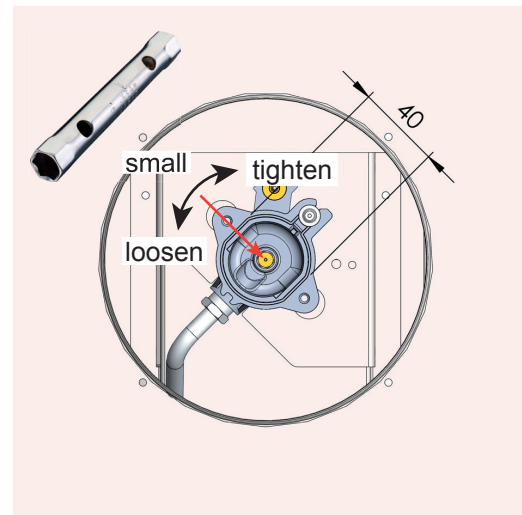
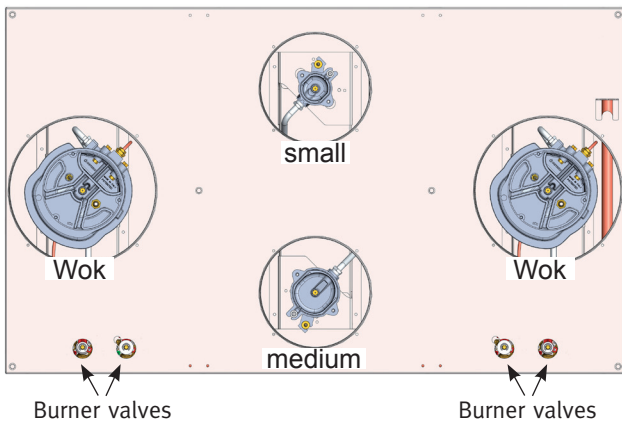
Only the burner valves for the small and medium-burners need to be reset when the nozzles are being replaced. These are recognisable by the extra recess next to the burner valve.

If changes are made, a new type of sticker has to be applied over the existing sticker on the underside of the hot plate.

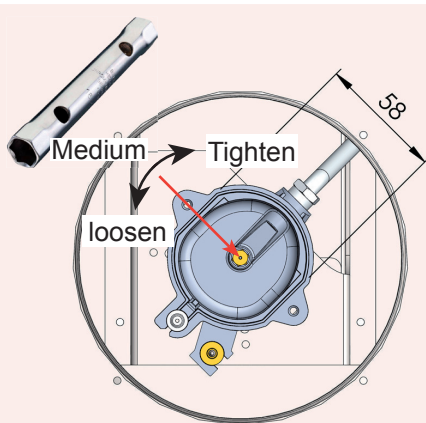
The installation and assembly shall be undertaken by an authorised installer.



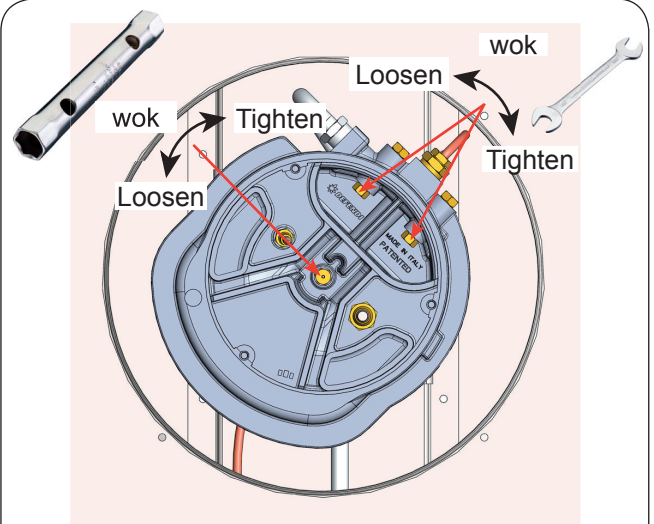
Required parts/tools: nozzles (1), box spanner 7 mm (2) open-ended spanner 7 mm (3), flat-blade screwdriver (4).



Replace nozzle small burner. Loosen the existing nozzle (anti-clockwise). Tighten the new nozzle (clockwise).

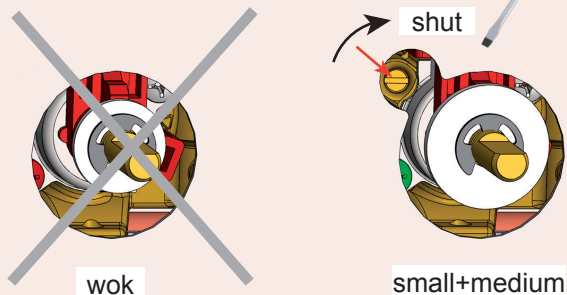


Replace nozzle medium burner. Loosen the existing nozzle (anti-clockwise). Tighten the new nozzle (clockwise).



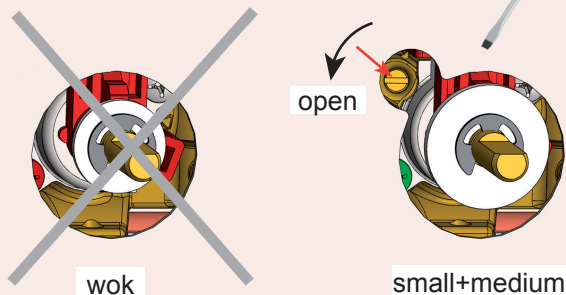
Replace nozzles wok burner. Loosen the existing nozzle (anti-clockwise). Tighten the new nozzle (clockwise).

Natural gas (NG) → Universal LPG



Turn the burner valve adjustment screw clockwise fully shut.

Universal LPG → Natural gas (NG)



Turn the burner valve adjustment screw 1/4 anti-clockwise (open).

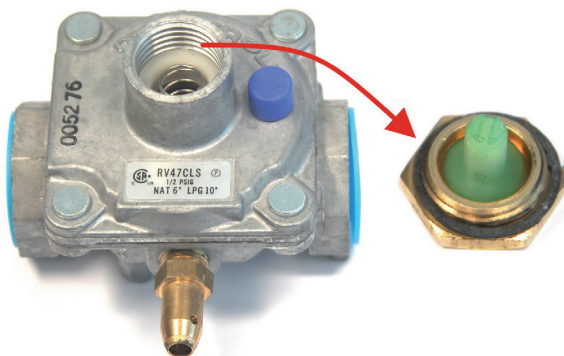
# PITT

## Instructions to convert the regulator from Natural gas to Universal LPG

### NOTE! !

If changes are made, a new type of sticker has to be applied over the existing sticker on the underside of the hot plate.

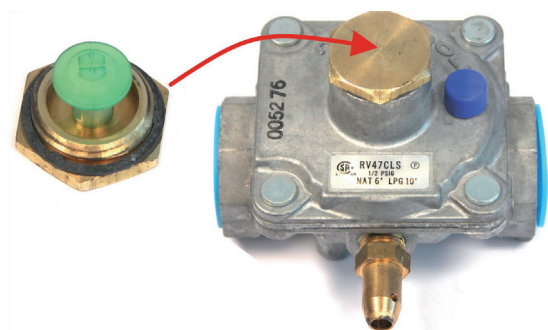
The installation and assembly shall be undertaken by an authorised installer.



Remove the cap from the top of the regulator



Remove the plastic shaft from the cap by pushing it sideways until it pops out of the groove in the cap. Turn the shaft over and push back into the cut- out in the cap.



Replace the cap on the regulator.

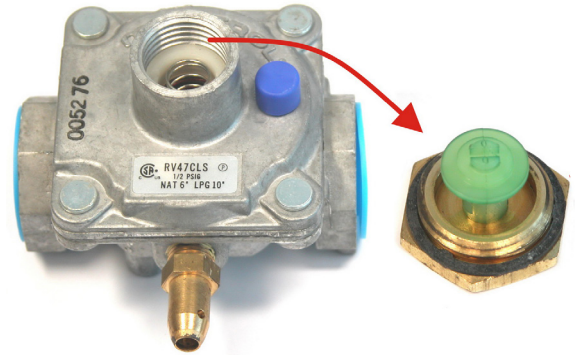
# PITT

## Instructions to convert the regulator from Universal LPG to Natural gas

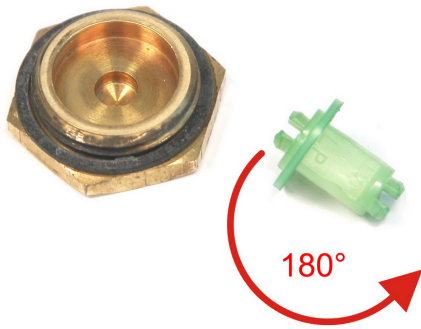
### NOTE!!

If changes are made, a new type of sticker has to be applied over the existing sticker on the underside of the hot plate.

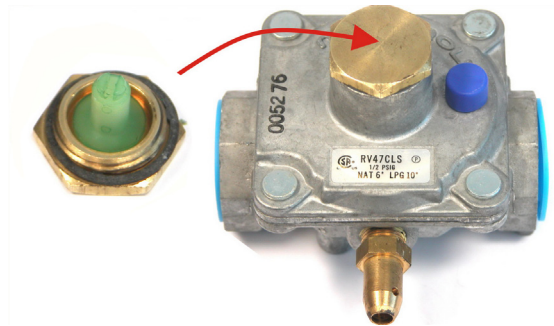
The installation and assembly shall be undertaken by an authorised installer.



Remove the cap from the top of the regulator



Remove the plastic shaft from the cap by pushing it sideways until it pops out of the groove in the cap. Turn the shaft over and push back into the cut-out in the cap.



Replace the cap on the regulator.