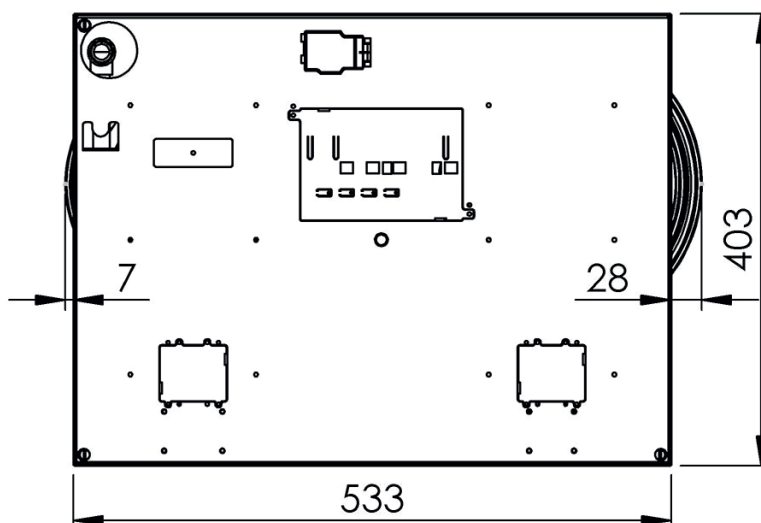
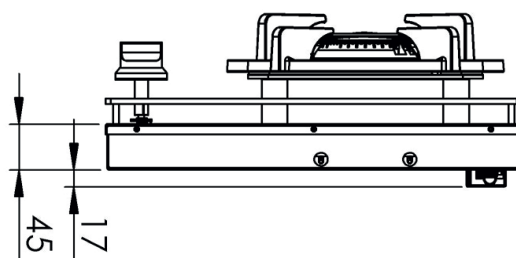


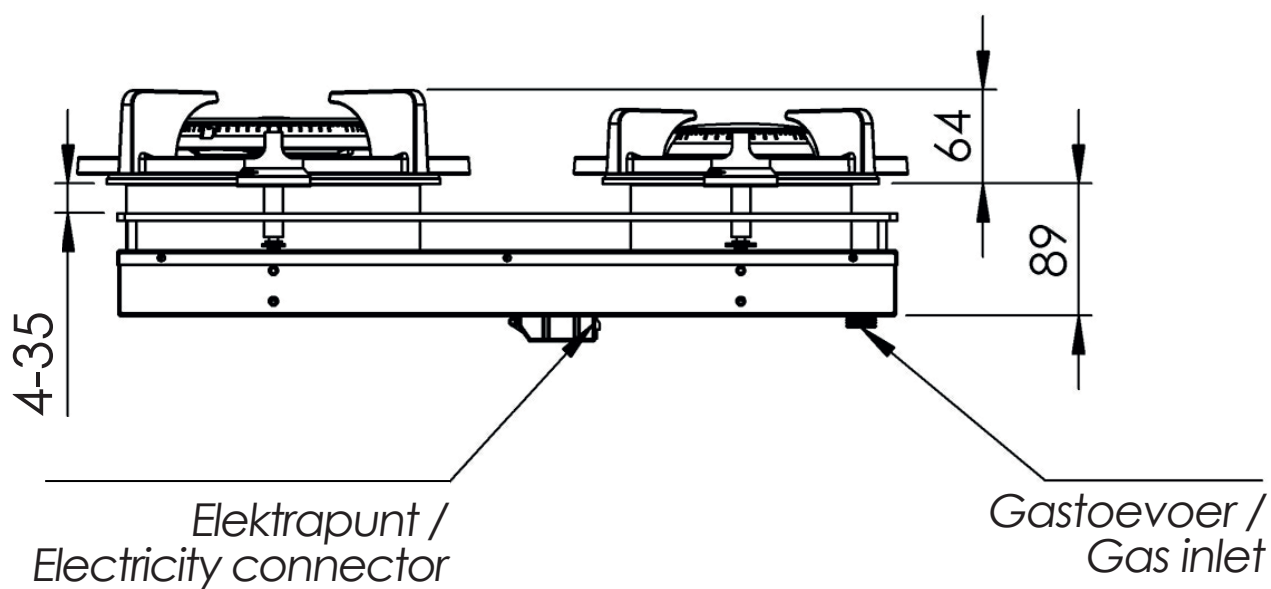
Bovenaanzicht / View from top



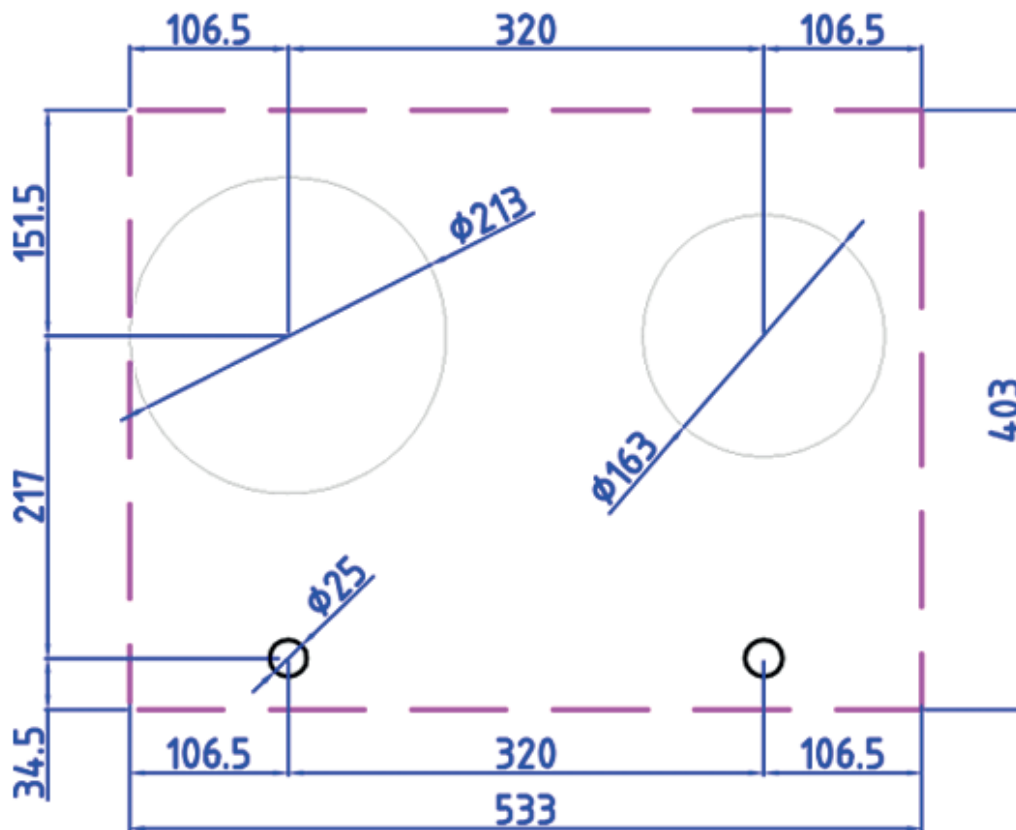
Achteraanzicht / View from back



Zij-aanzicht / View from side



Vooraanzicht / View from front



RAIIA

Gatenpatroon / Hole pattern

Gatenpatroon in DXF te downloaden via pittcooking.com
Hole pattern in DXF can be downloaded via pittcooking.com