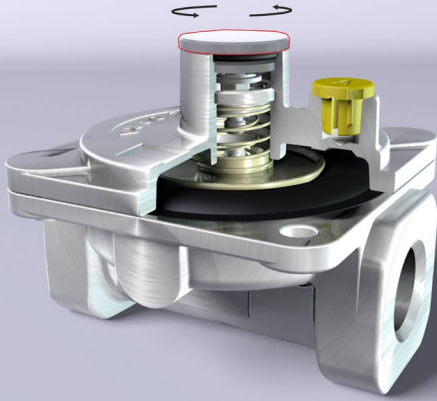


Instructions to convert the regulator from **natural gas to universal LPG** or **universal LPG to natural gas**

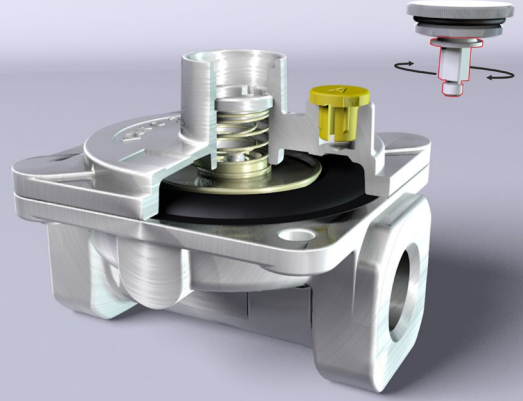
NOTE!!

If changes are made, a new type of sticker has to be applied over the existing sticker on the underside of the hot plate. The installation and assembly shall be undertaken by an authorised installer.

1. Unscrew the regulator cap from the top



2. Disassemble the setting screw



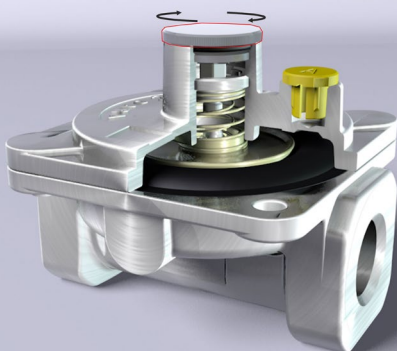
3. Check the orientation of the setting screw



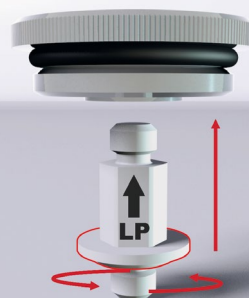
4. Screw the setting screw on the cap considering the gas you are using



5. Screw the regulator tap



Detail:
Natural gas to universal
LPG - see step 3!



Detail:
Universal LPG to
natural gas - see step 3!

