

Instructions for installation of support set

Contents of package:

2x support beams



4x inserts

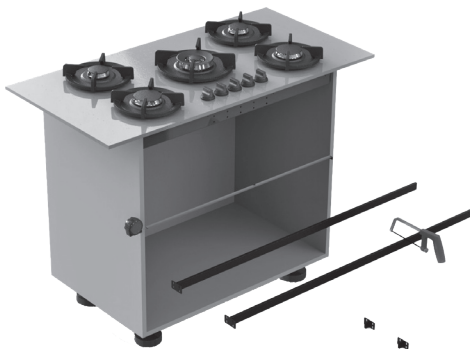


16x cross-point screws 4,2x16 mm

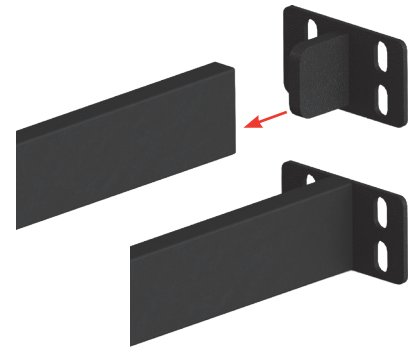


Tools needed:

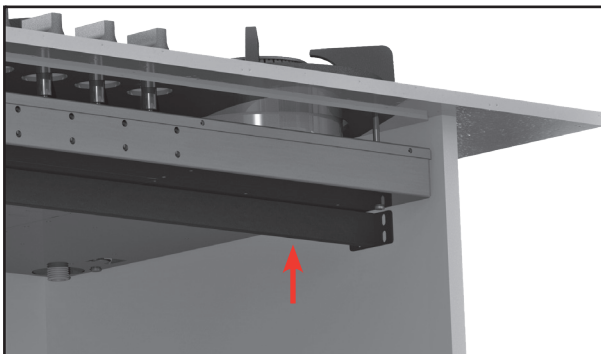
- Measuring tape
- Cross-point screwdriver
- Metallic saw



1. Determine the dimensions of the cabinet and cut the support beams with the saw. **ATTENTION!** Correct length of the beam = the dimension of cabinet on the inside - 4 mm.

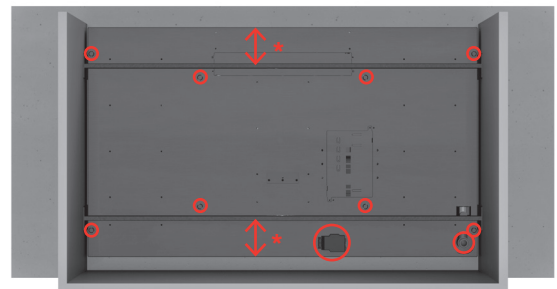


2. Place the inserts into the ends of the beams that have been cut to size.

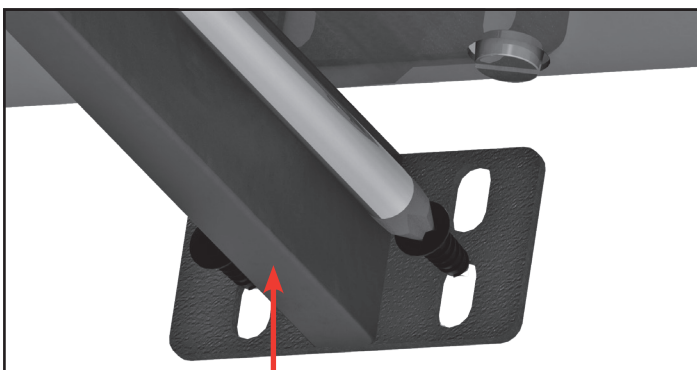


3. Place the beams between the cabinet and position it against the under side of the PITT® cooking unit. **ATTENTION: FOR THE POSITIONING, SEE STEP 4.**

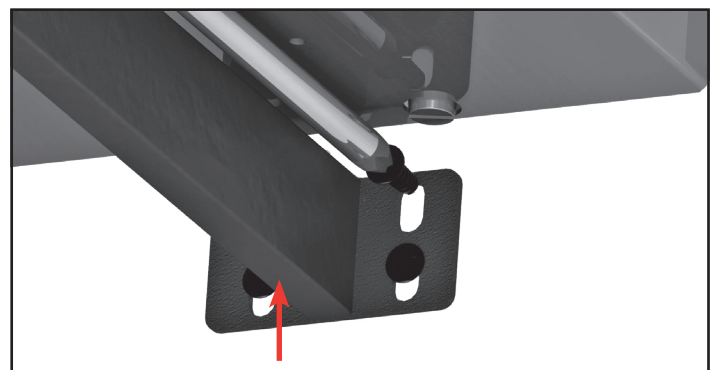
* Minimum distance of 80 mm



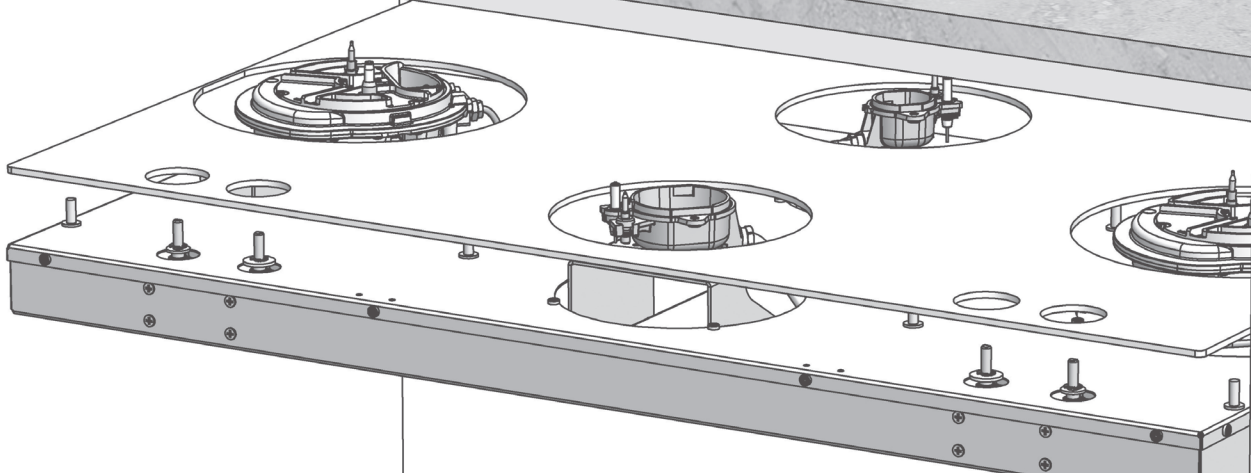
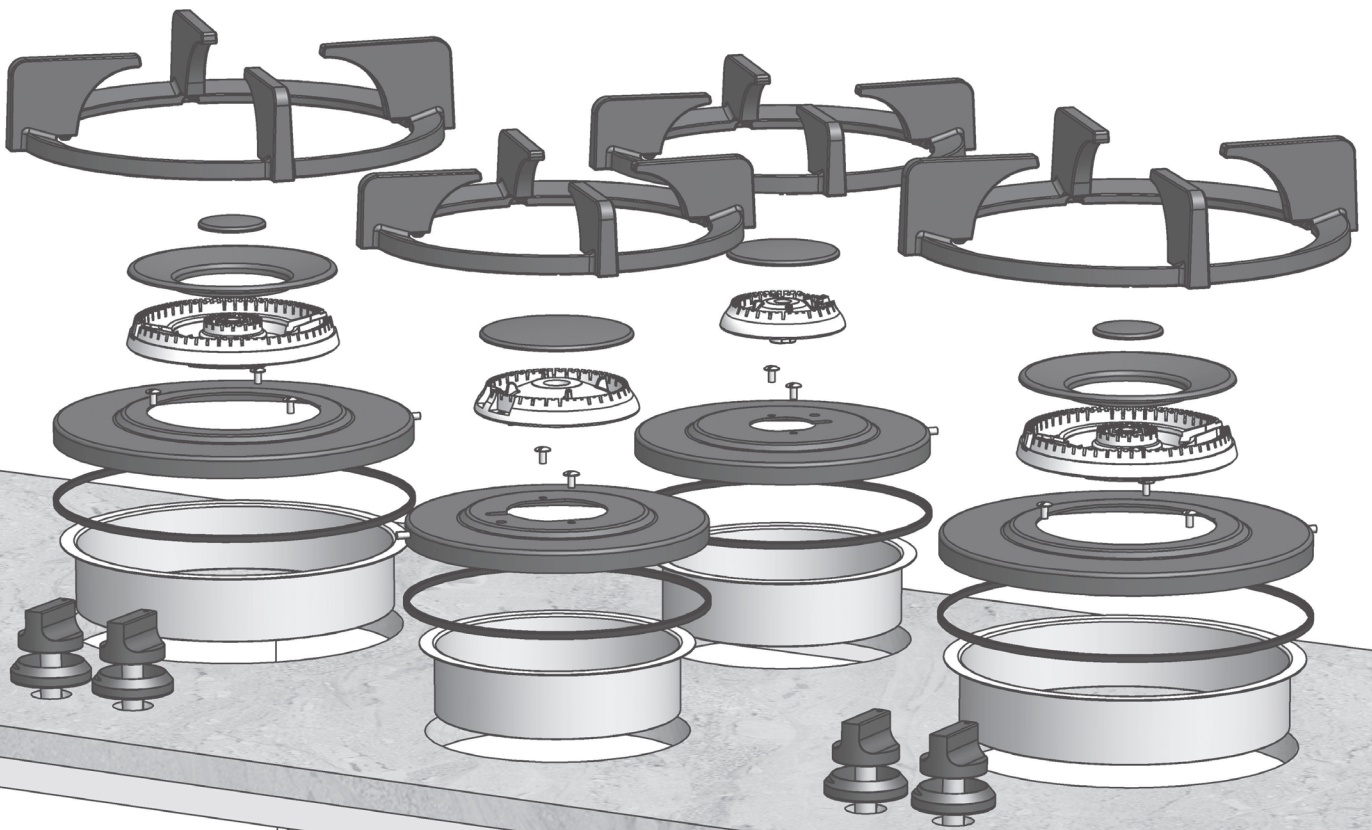
4. Position the beams in such a way that the screws, gas connection and the electricity block are freely accessible.



5. Push the beams firmly against the underside of the PITT® cooking unit and tighten the lower two screws by hand. Repeat this step for the other side of the cabinet.



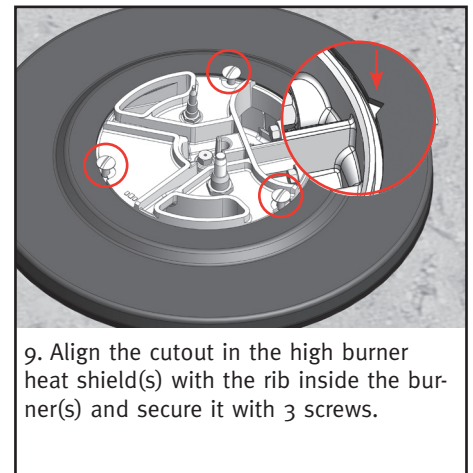
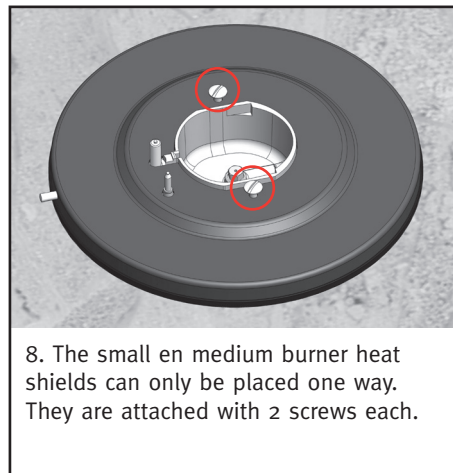
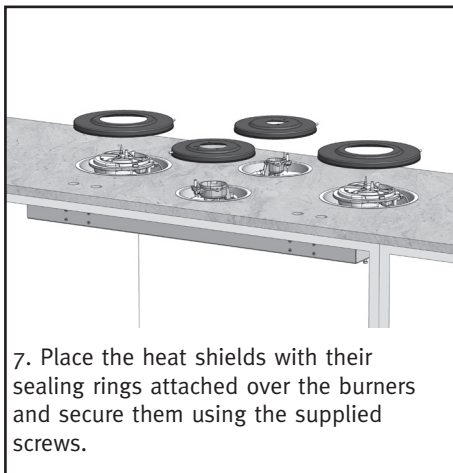
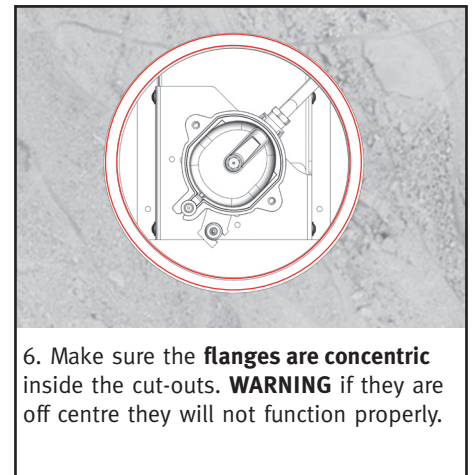
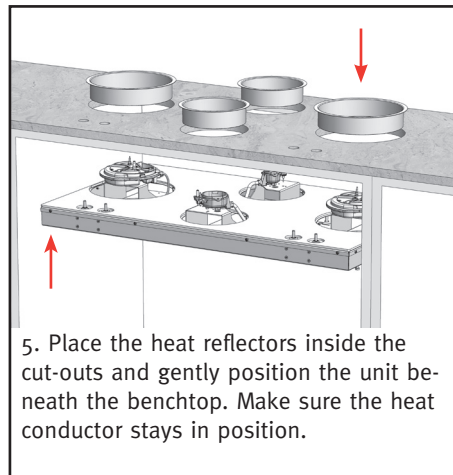
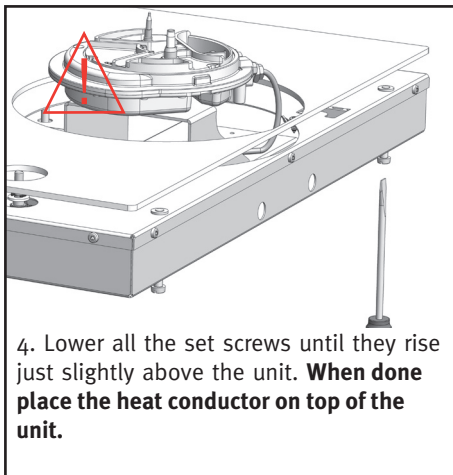
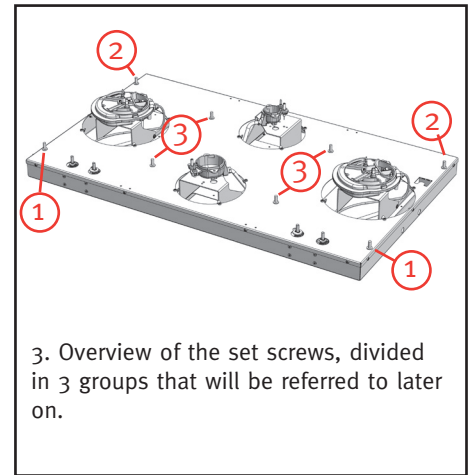
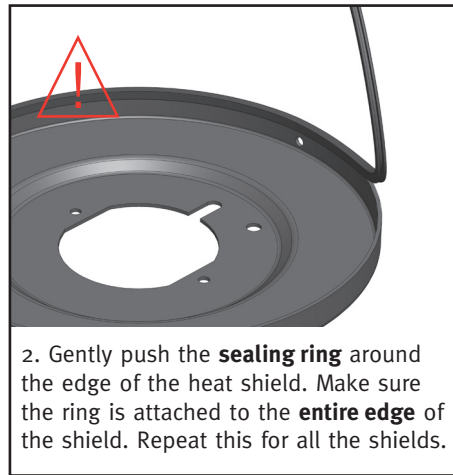
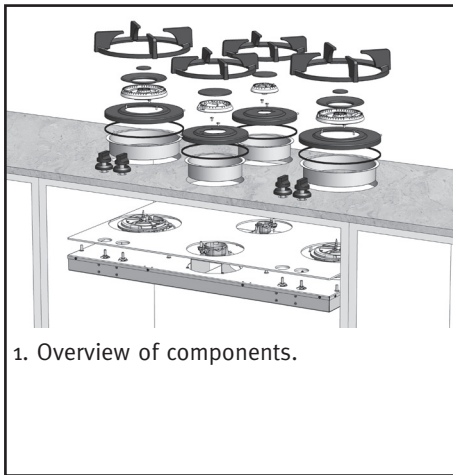
6. Push the beams firmly against the underside of the PITT® cooking unit and tighten the upper two screws completely. Then, tighten the lower screws completely.



AU *Installation instructions*

Top Side

Installation instructions Top Side



Important!



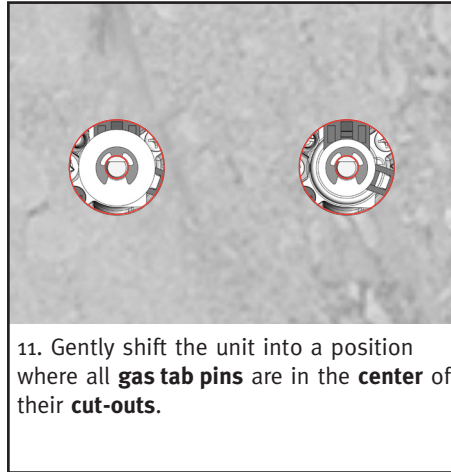
The documents 'Installation instructions', 'User manual' and 'Benchtop and cabinet procedures and guidelines for PITT® cooking' should all be taken in account for correct installation.

For **warranty** and the **proper functioning** of the cooking unit ensure the mounting is as described in this manual and the others to the letter.

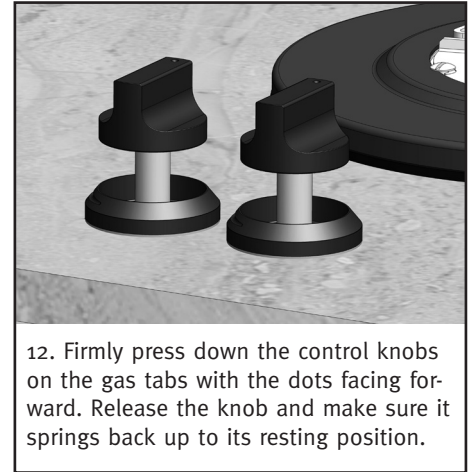
For more information visit: www.pittcooking.info/partition



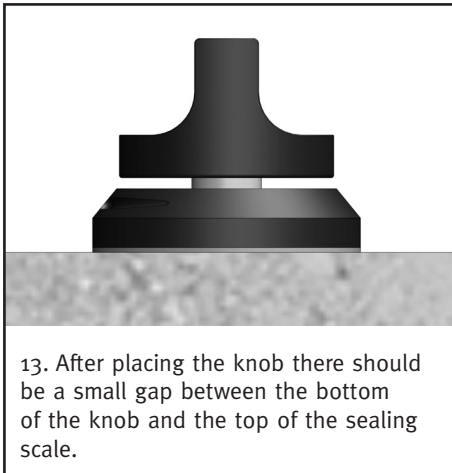
10 Do **not separate** the **protective film** from the adhesive strip for the next steps!



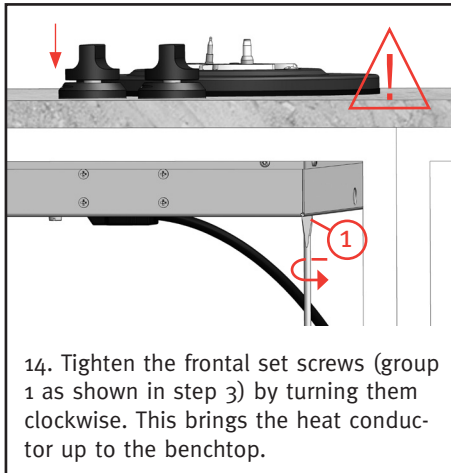
11. Gently shift the unit into a position where all **gas tab pins** are in the **center** of their **cut-outs**.



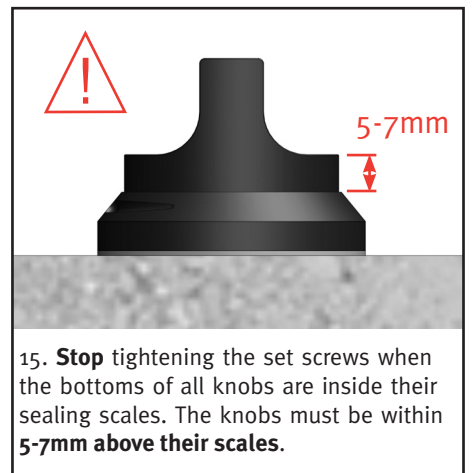
12. Firmly press down the control knobs on the gas tabs with the dots facing forward. Release the knob and make sure it springs back up to its resting position.



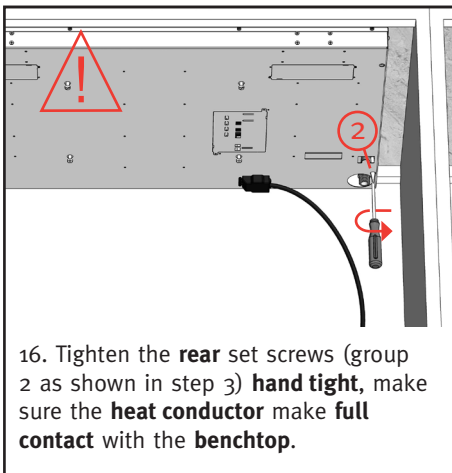
13. After placing the knob there should be a small gap between the bottom of the knob and the top of the sealing scale.



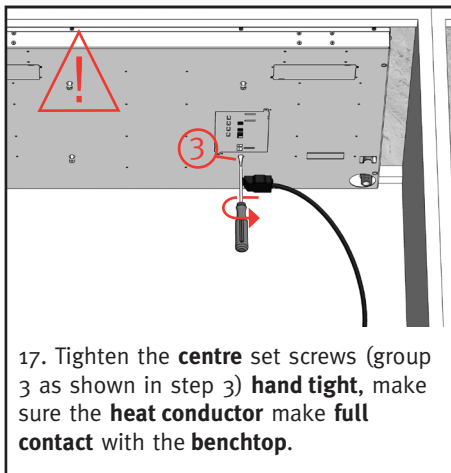
14. Tighten the frontal set screws (group 1 as shown in step 3) by turning them clockwise. This brings the heat conductor up to the benchtop.



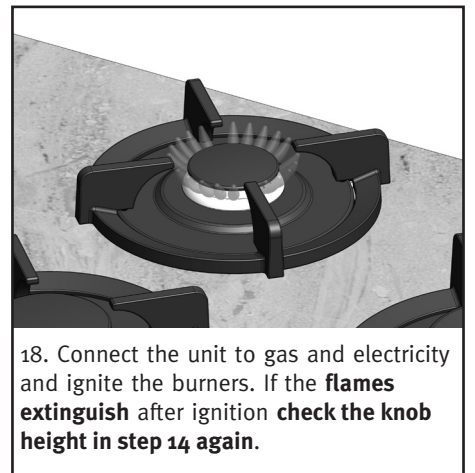
15. **Stop** tightening the set screws when the bottoms of all knobs are inside their sealing scales. The knobs must be within **5-7mm** above their scales.



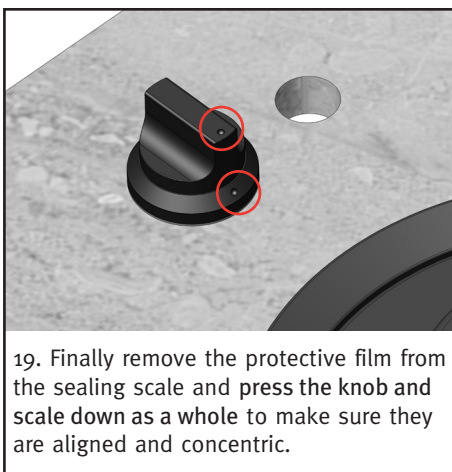
16. Tighten the **rear** set screws (group 2 as shown in step 3) **hand tight**, make sure the **heat conductor** make **full contact** with the **benchtop**.



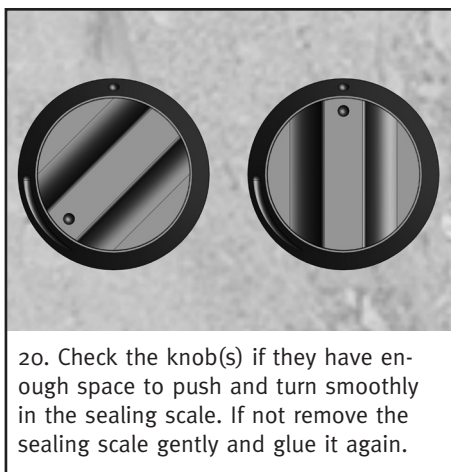
17. Tighten the **centre** set screws (group 3 as shown in step 3) **hand tight**, make sure the **heat conductor** make **full contact** with the **benchtop**.



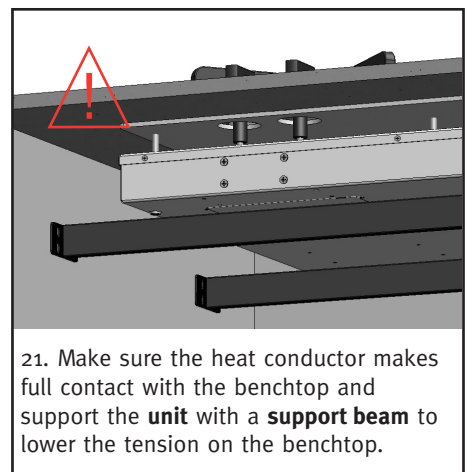
18. Connect the unit to gas and electricity and ignite the burners. If the **flames extinguish** after ignition **check the knob height in step 14** again.



19. Finally remove the protective film from the sealing scale and press the knob and scale down as a whole to make sure they are aligned and concentric.



20. Check the knob(s) if they have enough space to push and turn smoothly in the sealing scale. If not remove the sealing scale gently and glue it again.



21. Make sure the heat conductor makes full contact with the benchtop and support the **unit** with a **support beam** to lower the tension on the benchtop.